

# Double Crosswise Grain Binding

*Debra Proctor*, Wasatch County Extension Agent, FCS/4-H

*Deonn Stott*, Wasatch County 4-H Leader

*Ronda Olsen*, Uintah County Extension Agent, FCS/4-H

State 4-H Leadermete April 2008

Sewing Project Skill: Create a double binding to cover the raw edges of a quilt

Life Skills: Learning to learn, making decisions, applying technology

Level: 1B

The final step in finishing a quilt is putting a binding on the edge of the quilt. A crosswise grain binding is cut across the width of the fabric and is straight. This is used for straight edged quilts. Quilts that are curved need a bias edge that will bend with the fabric. A double binding When choosing fabrics for binding treatments, look for fabric that will give a defining edge to the quilt. Choose solid ground colors with random small prints, petite checks, tone-on tone prints or dense plaids. Avoid obvious directional prints, large stripes or large floral prints.

## Determine amount of fabric needed for binding:

To calculate the amount of binding needed for a quilt, use this formula:

\_\_\_\_\_ Length of quilt

Plus \_\_\_\_\_ Width of quilt

Subtotal \_\_\_\_\_

Times 2 To count all four sides

Subtotal \_\_\_\_\_ = length of binding

Add 7-12 inches (to allow enough length for joining strips and turning corners)

\_\_\_\_\_ = Total length of binding needed

Divide by 40 (average width of fabric)

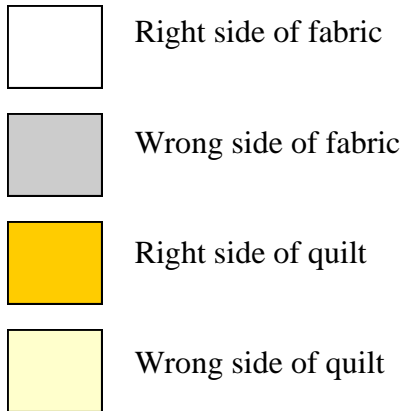
\_\_\_\_\_ = Number of strips

Times \_\_\_\_\_ (width of strips—usually 2.25" (thin batting) or 2.5" thick batting)

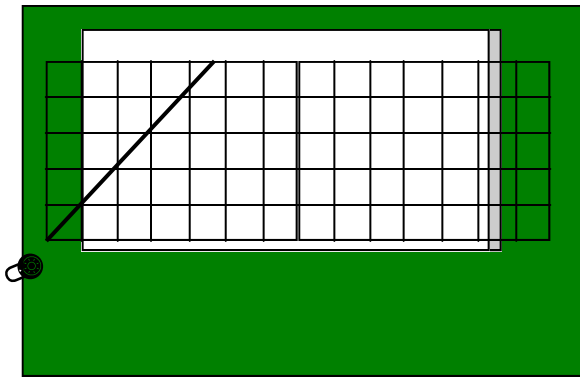
Total = \_\_\_\_\_ inches Total length of fabric needed

Determining Yardage			
Fabric Length	Yardage Needed	Fabric Length	Yardage Needed
9 inches	¼ yard	45 inches	1 ¼ yards
12 inches	1/3 yard	57 inches	1 1/3 yards
18 inches	½ yard	54 inches	1 ½ yards
24 inches	2/3 yard	60 inches	1 2/3 yards
27 inches	¾ yard	63 inches	1 ¾ yards
36 inches	1 yard	72 inches	2 yards

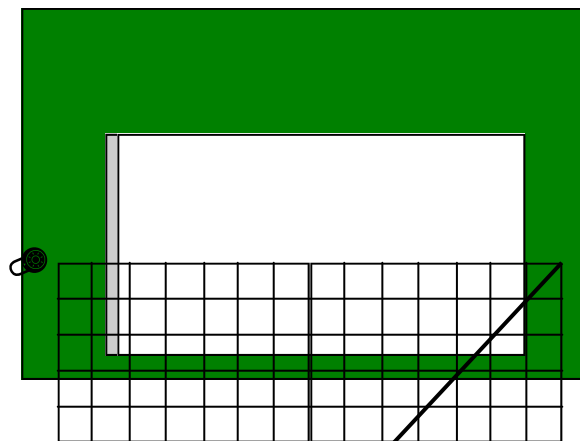
## Diagram Key:



## Cut binding strips:

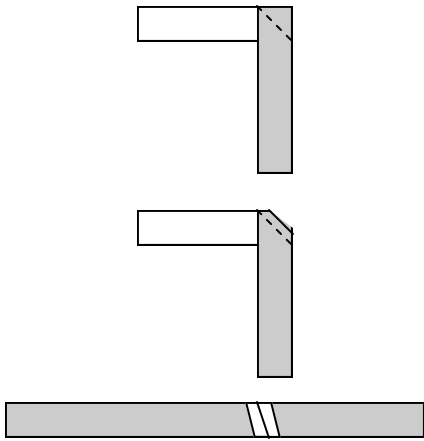


1. Square up fabric by placing ruler line on fold.  
Trim fabric straight using a rotary cutter



2. Turn mat around so that fabric will be on the correct side to cut.
3. Cut the number of straight binding strips needed the width determined earlier using a rotary cutter.

## Sew binding strips together:

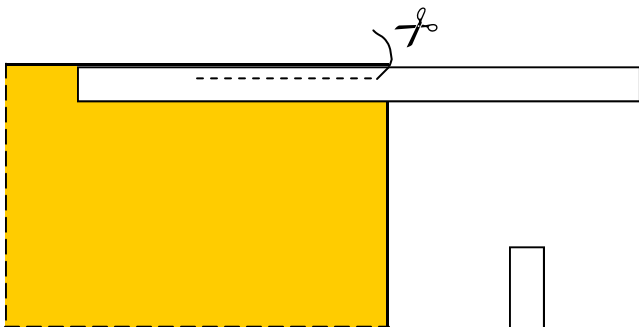


1. Cut off the selvage edges on each of the binding strips. Join the strips end to end. Lay the ends at right angles to each other. MARK and SEW a diagonal line across the corner.
2. Trim to 1/4" seam allowance. PRESS seam open. **Quilting clue**—pressing the seam open on binding reduces bulk.
3. Continue adding the strips end to end until the length desired..

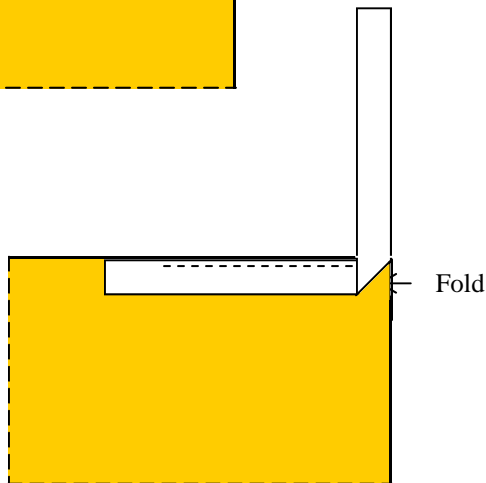
## Sew binding strips to the quilt



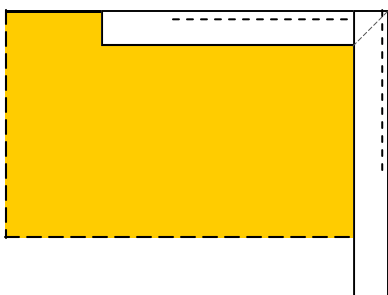
1. Fold binding strips along the length, wrong side together, and press.



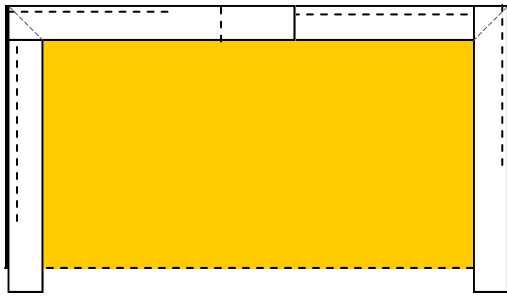
2. Lay binding on the right side of the quilt top, and align raw edges. Leave about a 6" tail free and begin sewing binding to quilt, using 1/4" seam allowance. Backstitch at beginning and end. Stop 1/4" from the first corner, put needle down and stitch off at a 45° angle. Remove the needle from the quilt and cut the threads.



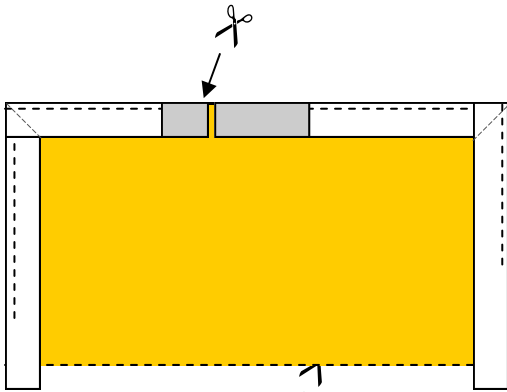
3. Turn the quilt to sew down the next side. Fold the binding straight up, leaving a 45° fold, then straight back down with a fold even with the edge of the binding, forming a mitered corner.



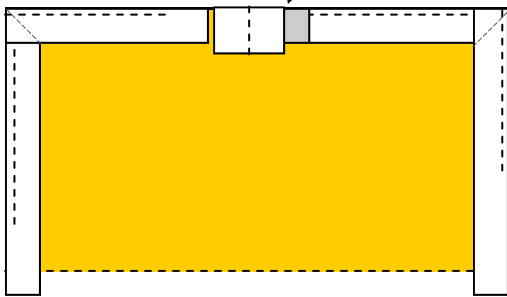
4. Begin sewing at the folded edge, backstitch to secure and continue sewing. Repeat for all four corners.



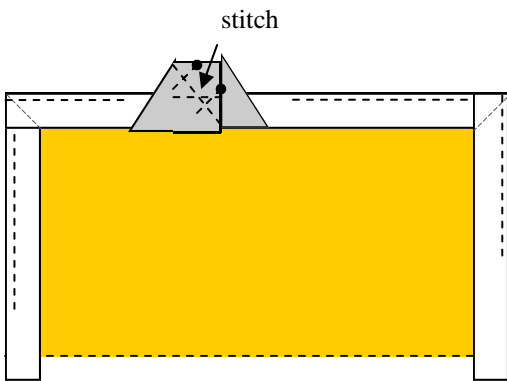
5. After the last corner is mitered, end stitching at least 7" from point at which you began sewing binding. Leave a 6" tail



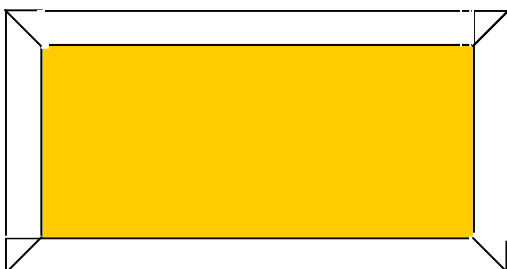
6. On a flat surface, have the binding ends meet in the center of the unstitched space, leaving a scant 1/4" space between them. Fold the ends over, and crease them where they almost meet.



7. Cut off one end at the fold. Then, using the end you have cut off (open it, if it is double binding), use it to measure the binding's width from the fold. Cut off the second end at that measurement.



8. Open the folds of each tail and overlap them, right sides together, as the binding was joined to make the long strip. Draw a diagonal line. Pin along diagonal line and check to make sure binding fits the unbound edge. Sew on diagonal line. Trim seam to 1/4" seam allowance. Press the seam open. Refold the binding in half. Finish sewing the binding to the quilt.



9. Wrap the binding over the edge to the back of the quilt so that it covers the stitching. Hand stitch the binding with a blind stitch.